

EXCALIBUR

- ❖ Patented High Security Claw Locking
- ❖ Steel Shootbolts
- ❖ Excalibur Fully Retractable Option
- ❖ Excalibur Plus Option With Adjustable Mushroom Cams
- ❖ Assists In BS7950 Compliance
- ❖ Guaranteed Security



Excalibur is a market-leading product that consistently enables window fabricators to sell effective solutions to their customers, be they trade or domestic. Excalibur offers first-rate security features with longevity and reliability, no other window locking system can match Excalibur for value. Excalibur is a multi-point locking system that ensures each window is sealed against the weather and unwanted visitors, supported by an insurance-backed guarantee scheme and householder focussed promotional materials.

- ❖ Robust unhandled die-cast gearbox
- ❖ Fits most Eurogroove systems
- ❖ Profile Related Keeps with night vent facility
- ❖ 20mm and 22mm Backset
- ❖ Comprehensive range of bar sizes available
- ❖ Tested to 100,000 cycles
- ❖ Bi-directional die-cast claws
- ❖ 10 year mechanical guarantee
- ❖ Minimum of 240 hours salt spray testing exceeding BS7412

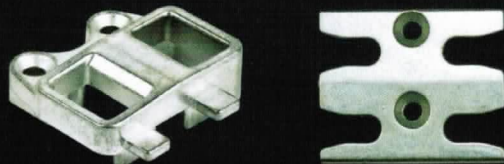




Centre Keep



Combi Keep



Shootbolt Keep

Intermediate Keep

The patented Kenrick claw locking mechanism provides secure engagement with a substantial die-cast keep. This reliable system is now fitted to millions of windows throughout the UK.

EXCALIBUR GEARBOX

- ❖ EXC0020 -20mm B/Set
- ❖ EXC0022 22mm B/Set

TECHNICAL INFORMATION

- ❖ Mushroom Cam adjustability: +/- 1mm
- ❖ Mushroom Cam Stroke: 20mm

Standard Excalibur (No Cams) Bars

Part No.	Sash Rebate	No. of Locking Points
EXC300440	306 - 442	4
EXC370500	366 - 502	4
EXC430700	436 - 696	4
EXC490700	496 - 698	4
EXC690950	696 - 956	4
EXC950120	952 - 1212	4
EXC12101470	1212 - 1476	4

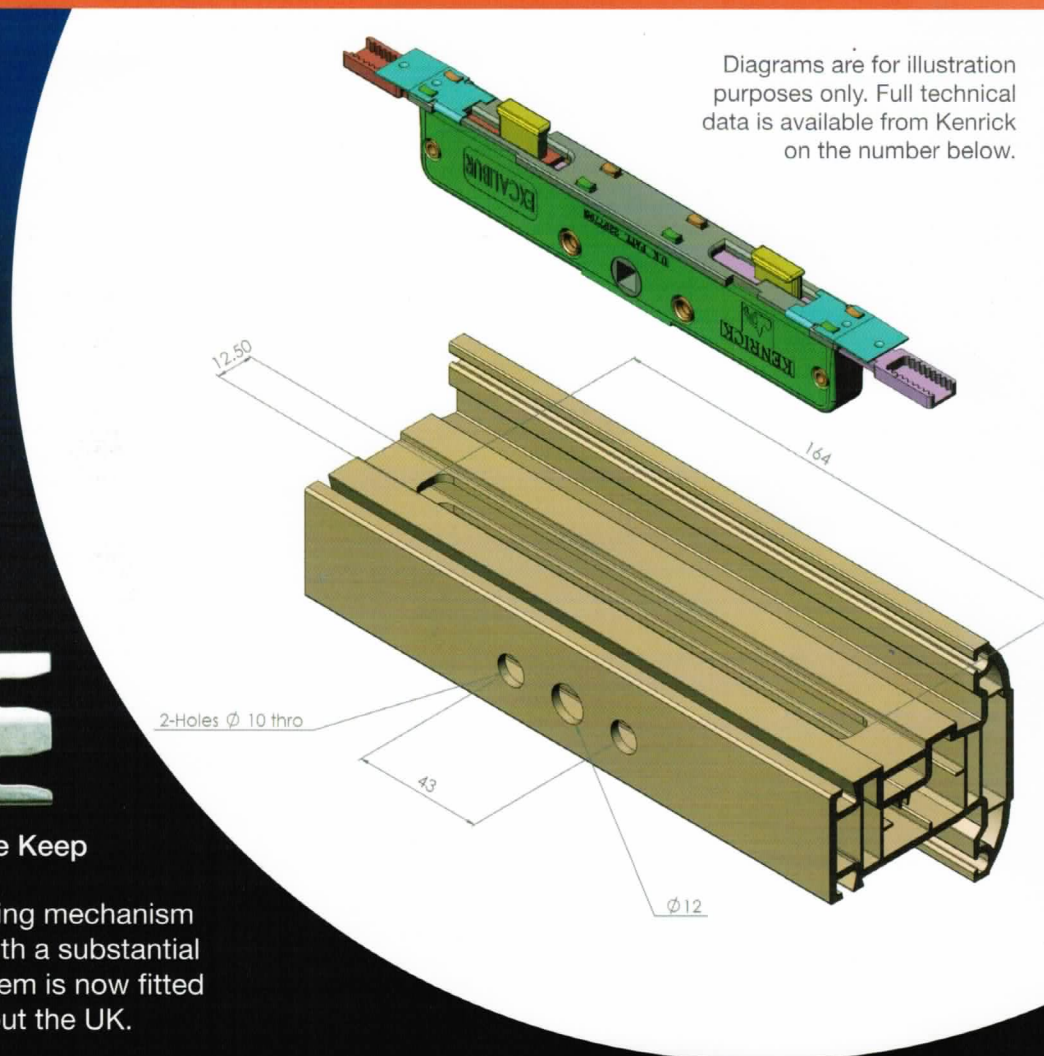
Excalibur Plus (with Cams) Bars

Part No.	Sash Rebate	No. of Locking Points
CLSFFBAR01	422 - 582	6
CLSFFBAR03	570 - 882	6
CLSFFBAR05	870 - 1182	8
CLSFFBAR051C	870 - 1182	6
CLSFFBAR07	1170 - 1482	8

Sash rebate sizes are based on a 13mm throw. For a 10mm throw please reduce sizes by 6mm.

French Window Solutions - The Excalibur bar options provide an ideal French window solution.

Non-Standard Handle Heights and Window Sizes - The Excalibur extension options provide ideal solutions for non-standard handle heights and window sizes.



Diagrams are for illustration purposes only. Full technical data is available from Kenrick on the number below.